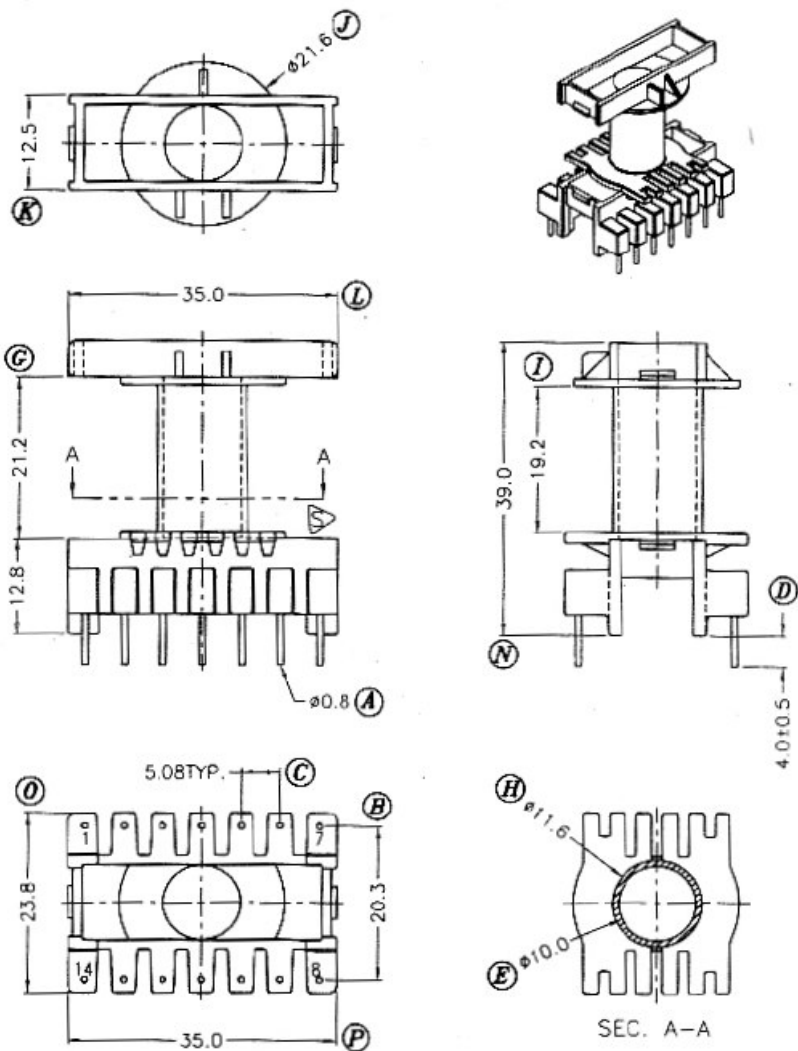


Part Number:	ETD-29 Bobbin (7+7P)	Description:	ETD-29 Bobbin (7+7P)
Material:	PLASTIC	Unit:	m/m
SCALE:	2/1	ANGLE:	±1°
TOL. OF PIN PITCH ±0.20			
PIN TENSION LOAD MIN			
UL REC: 94V-0			
Tolerance:	0<L≤4: ±0.1	4<L≤16: ±0.2	16<L≤63: ±0.3



Lužnice 10, 344 01 Domažlice
T: 379 723 915, info@atd-elektronik.cz